

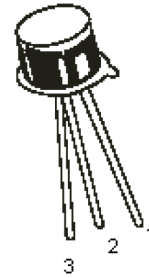
NPN Silicon Planar Transistors

BC107 / BC108 Series

multicomp PRO

Low Noise General Purpose Audio Amplifiers

**RoHS
Compliant**



Pin Configuration

1. Emitter
2. Base
3. Collector

Absolute Maximum Ratings

Description	Symbol	BC107	BC108	Unit
Collector-Emitter Voltage	V_{CEO}	45	25	V
Collector-Base Voltage	V_{CBO}	50	30	
Emitter-Base Voltage	V_{EBO}	6	5	
Collector Current Continuous	I_C	200		mA
Power Dissipation at $T_A = 25^\circ\text{C}$ Derate Above 25°C	P_D	300		mW mW / $^\circ\text{C}$
Power Dissipation at $T_c = 25^\circ\text{C}$ Derate Above 25°C		1.72		
Operating and Storage Junction Temperature Range	T_J, T_{STG}	-65 to +200		$^\circ\text{C}$
Thermal Characteristics				
Junction to Ambient in free air	$R_{th(j-a)}$	583		$^\circ\text{C} / \text{W}$
Junction to Case	$R_{th(j-c)}$	233		

Electrical Characteristics ($T_A = 25^\circ\text{C}$ unless otherwise specified)

Description	Symbol	Test Condition	BC107	BC108	Unit
Collector-Emitter Voltage	V_{CEO}	$I_C = 2 \text{ mA}, I_B = 0$	>45	>25	V
Collector-Base Voltage	V_{EBO}	$I_E = 10 \mu\text{A}, I_C = 0$	>6	>5	
Collector-Cut off Current	I_{CBO}	$V_{CB} = 45\text{V}, I_E = 0$	<15	<15	nA
		$V_{CB} = 25\text{V}, I_E = 0$ $V_{CB} = 45\text{V}, I_E = 0, T_A = 125^\circ\text{C}$ $V_{CB} = 25\text{V}, I_E = 0, T_A = 125^\circ\text{C}$	<4	<4	μA
DC Current	h_{FE}	$I_C = 10 \mu\text{A}, V_{CE} = 5\text{V}$	-		-
		B Group	40		
		C Group	100		
		BC107	110-450		
		BC108	110-800		
A Group	110-220				
B Group	200-450				
C Group	420-800				

Newark.com/multicomp-pro
Farnell.com/multicomp-pro
Element14.com/multicomp-pro

multicomp PRO

NPN Silicon Planar Transistors

BC107 / BC108 Series

multicomp PRO

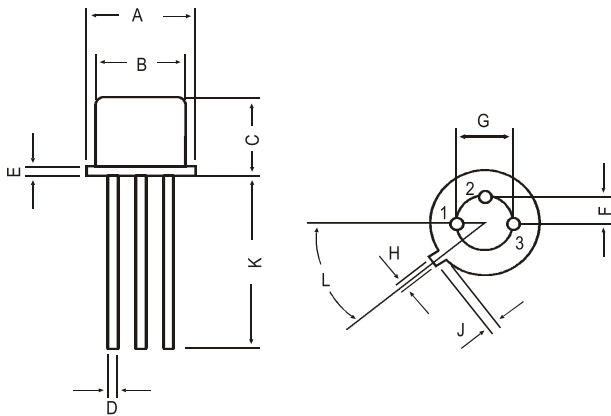
Electrical Characteristics (T_A=25°C unless specified otherwise)

Description	Symbol	Test Condition	Min.	Max.	Unit
Collector Emitter Saturation Voltage	V _{CE (sat)}	I _C =10mA, I _B =0.5mA I _C =100mA, I _B =5mA		0.25 0.6	V
Base Emitter Saturation Voltage	V _{BE (sat)}	I _C =10mA, I _B =0.5mA I _C =100mA, I _B =5mA		0.83 1.05	V
Base Emitter on Voltage	V _{BE (on)}	I _C =2mA, V _{CE} =5V I _C =10mA, V _{CE} =5V	0.55	0.7 0.77	V
Collector Knee Voltage	V _{CE (K)}	I _C =10mA, I _B =the value for which I _C =11mA @ V _{CE} =1V		0.6	V
Transition Frequency	f _T	I _C =10mA, V _{CE} =5V, f=100MHz	150		MHz
Output Capacitance	C _{obo}	V _{CB} =10V, I _E =0, f=1MHz		4.5	pF
Noise Figure	NF	I _C =0.2mA, V _{CE} =5V, R _g =2kΩ		10	dB

Small Signal Characteristics

Description	Symbol	Test Condition	Min.	Max.	Unit
Small Signal Current Gain	h _{fe}	I _C =2mA, V _{CE} =5V, f=1kHz			
		BC107	125	500	
		BC108	125	900	
		A Group	125	260	
Input Impedance	h _{ie}	I _C =2mA, V _{CE} =5V, f=1kHz			
		A Group	1.6	4.5	kΩ
		B Group	3.2	8.5	
Output Admittance	h _{oe}	I _C =2mA, V _{CE} =5V, f=1kHz			
		A Group		30	μΩ
		B Group		60	
		C Group		110	

TO-18 Metal Can Package



Dim.	Min.	Max.
A	5.24	5.84
B	4.52	4.97
C	4.31	5.33
D	0.4	0.53
E	-	0.76
F	-	1.27

Dim.	Min.	Max.
G	-	2.97
H	0.91	1.17
J	0.71	1.21
K	12.7	-
L	45°	

Dimensions : Millimetres

Newark.com/multicomp-pro
Farnell.com/multicomp-pro
Element14.com/multicomp-pro

multicomp PRO

NPN Silicon Planar Transistors

BC107 / BC108 Series

multicomp PRO

Part Number Table

Description	Part Number
NPN Silicon Planar Transistors, NPN, 45V, 150MHz, 600mW, 100mA, 110h _{FE}	BC107
NPN Silicon Planar Transistors, NPN, 45V, 150MHz, 600mW, 100mA, 110h _{FE}	BC107A
NPN Silicon Planar Transistors, NPN, 45V, 150MHz, 600mW, 100mA, 200h _{FE}	BC107B
NPN Silicon Planar Transistors, NPN, 25V, 150MHz, 600mW, 200mA, 110h _{FE}	BC108
NPN Silicon Planar Transistors, NPN, 25V, 150MHz, 600mW, 200mA, 200h _{FE}	BC108B
NPN Silicon Planar Transistors, NPN, 25V, 150MHz, 600mW, 200mA, 420h _{FE}	BC108C

Important Notice : This data sheet and its contents (the "Information") belong to the members of the AVNET group of companies (the "Group") or are licensed to it. No licence is granted for the use of it other than for information purposes in connection with the products to which it relates. No licence of any intellectual property rights is granted. The Information is subject to change without notice and replaces all data sheets previously supplied. The Information supplied is believed to be accurate but the Group assumes no responsibility for its accuracy or completeness, any error in or omission from it or for any use made of it. Users of this data sheet should check for themselves the Information and the suitability of the products for their purpose and not make any assumptions based on information included or omitted. Liability for loss or damage resulting from any reliance on the Information or use of it (including liability resulting from negligence or where the Group was aware of the possibility of such loss or damage arising) is excluded. This will not operate to limit or restrict the Group's liability for death or personal injury resulting from its negligence. Multicomp Pro is the registered trademark of Premier Farnell Limited 2019.

Newark.com/multicomp-pro
Farnell.com/multicomp-pro
Element14.com/multicomp-pro

multicomp PRO